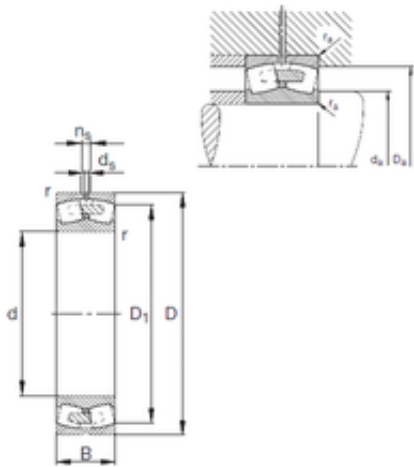




EYA Bearing Roller Industry Co.,Ltd

FAG 22272-E1A-MB1 spherical roller bearings

Bearing No. 22272-E1A-MB1



22272-E1A-MB1 Bearing 2D drawings and 3D CAD models

Size	360x650x170 mm
Bore Diameter	360 mm
Outer Diameter	650 mm
Width	170 mm
d	360 mm
D	650 mm
B	170 mm
C	170 mm
n	23,5 mm
r min.	6 mm
D1	566 mm
da min.	386 mm
Da max.	624 mm
ra max.	5 mm
d5	12,5 r/min
Weight	248 Kg
Basic dynamic load rating (C)	4450 kN
Basic static load rating (C0)	6200 kN
Fatigue load limit (Pu)	485
Reference speed	720 r/min
Limiting speed	1 260 r/min
Calculation factor (e)	0,25
Calculation factor (Y0)	2,63
Calculation factor (Y1)	2,69
Calculation factor (Y2)	4