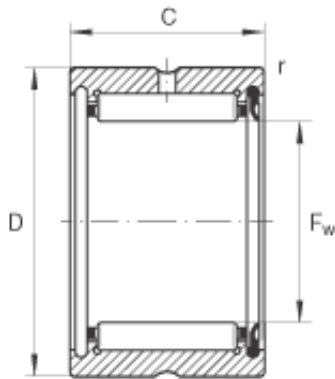




EYA Bearing Roller Industry Co.,Ltd

INA RNA4903-RSR needle roller bearings



Bearing No. RNA4903-RSR

RNA4903-RSR Bearing 2D drawings and 3D CAD models

| | |
|----------------------|--|
| Size | 22x30x13 mm |
| Bore Diameter | 22 mm |
| Outer Diameter | 30 mm |
| Width | 13 mm |
| F_w | 22 mm |
| D | 30 mm |
| C | 13 mm |
| r_{min} | 0,3 mm |
| m | 23 g / Weight |
| C_r | 10000 N / Dynamic load rating (radial) |
| C_{Or} | 11000 N / Static load rating (radial) |
| C_{ur} | 2180 N / Fatigue limit load, radial |
| $n_{G\ Fett}$ | 9000 1/min / Limiting speed for grease lubrication |
| Category | Needle Non Thrust Roller Bearings |
| Inventory | 0.0 |
| Manufacturer Name | SCHAEFFLER GROUP |
| Minimum Buy Quantity | N/A |
| Weight / Kilogram | 0.023 |
| Product Group | B04144 |
| Rolling Element | Needle Roller Bearing |
| Component | Roller Assembly with Outer Ring - No Inner Ring |
| Enclosure | 1 Seal |



EYA Bearing Roller Industry Co.,Ltd

| | |
|---------------------------|--|
| Self Aligning | No |
| Retainer | Yes |
| Number of Rows of Rollers | Single Row |
| Separable | No |
| Closed End | No |
| Inch - Metric | Metric |
| Relubricatable | Yes |
| Thrust Bearing | No |
| Long Description | 22MM Bore; 30MM Outside Diameter; 13MM Width; Needle Roller Bearing; Roller Assembly with Outer Ring - No Inner Ring; 1 Seal; Not Self Aligning; Retainer; Single Row of Rollers; Not Separable; Not Clo |
| Other Features | 2 Rib Outer Ring Precision Steel Cage Ground Raceway with Rib Oil Hole |
| Category | Needle Non Thrust Roller Bearing |
| UNSPSC | 31171512 |
| Harmonized Tariff Code | 8482.99.65.30 |
| Noun | Roller Assembly with Outer Ring |
| Keyword String | Bearing Needle |
| Manufacturer URL | http://www.ina.com |
| Manufacturer Item Number | RNA4903RS |
| Weight / LBS | 0.051 |
| Bore | 0.866 Inch 22 Millimeter |
| Outside Diameter | 1.181 Inch 30 Millimeter |
| Width | 0.512 Inch 13 Millimeter |