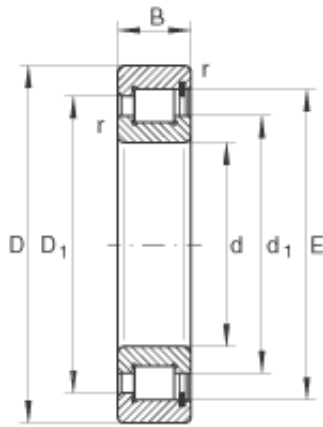




EYA Bearing Roller Industry Co.,Ltd



SL183006 Bearing 2D drawings and 3D CAD models

INA SL183006 cylindrical roller bearings

Bearing No. SL183006

Size	30x55x19 mm
Bore Diameter	30 mm
Outer Diameter	55 mm
Width	19 mm
d	30 mm
D	55 mm
B	19 mm
D ₁	45,4 mm
d ₁	40 mm
E	49,6 mm
r _{min}	1 mm
s	2 mm / Axial displacement
m	0,2 kg / Weight
C _r	45000 N / Dynamic load rating (radial)
C _{0r}	42000 N / Static load rating (radial)
C _{ur}	7500 N / Fatigue limit load, radial
n _G	8100 1/min / Limiting speed
Category	Cylindrical Roller Bearings
Inventory	0.0
Manufacturer Name	SCHAEFFLER GROUP
Minimum Buy Quantity	N/A
Weight / Kilogram	0.24
EAN	4012802312669
Product Group	B04144



EYA Bearing Roller Industry Co.,Ltd

Bore Profile	Straight
Cage Material	None
Precision Class	RBEC 1 ISO P0
Number of Rows of Rollers	Single Row
Separable	No
Rolling Element	Cylindrical Roller Bearing
Profile	Complete with Outer and Inner Ring
Snap Ring	No
Internal Clearance	C0-Medium
Retainer	No
Relubricatable	Yes
Inch - Metric	Metric
Other Features	Full Complement 2 Rib Inner Ring 1 Rib Outer Ring with Retaining Ring Operating Temperature From -30 to 120 Deg
Long Description	30MM Bore; Straight Bore Profile; 55MM Outside Diameter; 19MM Width; RBEC 1 ISO P0; Single Row; Not Separable; No Snap Ring; Relubricatable; C0-Medium Internal Clearance; No Retainer
Category	Cylindrical Roller Bearing
UNSPSC	31171547
Harmonized Tariff Code	8482.50.00.00
Noun	Bearing
Manufacturer URL	http://www.ina.com
Manufacturer Item Number	SL183006
Weight / LBS	0.528
Bore	1.181 Inch 30 Millimeter
Width	0.748 Inch 19 Millimeter
Outside Diameter	2.165 Inch 55 Millimeter



EYA Bearing Roller Industry Co.,Ltd