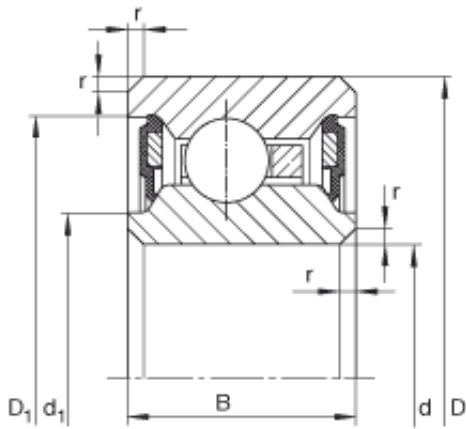




EYA Bearing Roller Industry Co.,Ltd

INA CSCU060-2RS deep groove ball bearings

Bearing No. CSCU060-2RS



CSCU060-2RS Bearing 2D drawings and 3D CAD models

Size	152.4x171.45x12.7 mm
Bore Diameter	152,4 mm
Outer Diameter	171,45 mm
Width	12,7 mm
d	152,4 mm
d	6 inch
D	171,45 mm
B	12,7 mm
D ₁	166,2 mm
d ₁	156,2 mm
r _{min}	0,38 mm
m	0,37 kg / Weight
C _r	9000 N / Dynamic load rating (radial)
C _{0r}	12200 N / Static load rating (radial)
Category	Single Row Ball Bearings
Inventory	0.0
Manufacturer Name	SCHAEFFLER GROUP
Minimum Buy Quantity	N/A
Weight / Kilogram	3.583
Product Group	B00308
Enclosure	2 Seals
Precision Class	ABEC 1 ISO P0
Maximum Capacity / Filling Slot	No
Rolling Element	Ball Bearing



EYA Bearing Roller Industry Co.,Ltd

Snap Ring	No
Internal Special Features	No
Cage Material	Steel
Enclosure Type	Contact Seal
Internal Clearance	C0-Medium
Inch - Metric	Inch
Long Description	6" Bore; 6-3/4" Outside Diameter; 1/2" Outer Race Width; 2 Seals; Ball Bearing; ABEC 1 ISO P0; No Filling Slot; No Snap Ring; No Internal Special Features; C0-Medium Internal Clearanc
Other Features	Thin Section Bearing Buna-N Rubber Seal
Category	Single Row Ball Bearing
UNSPSC	31171504
Harmonized Tariff Code	8482.10.50.68
Noun	Bearing
Keyword String	Ball
Manufacturer URL	http://www.ina.com
Weight / LBS	0.8157
Outer Race Width	0.5 Inch 12.7 Millimeter
Outside Diameter	6.75 Inch 171.45 Millimeter
Inner Race Width	0 Inch 0 Millimeter
Bore	6 Inch 152.4 Millimeter