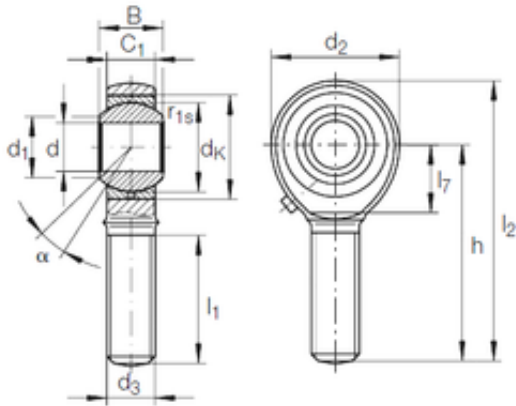




EYA Bearing Roller Industry Co.,Ltd

INA GAKR 30 PB plain bearings



Bearing No. GAKR 30 PB

Size	30x55x37 mm
Bore Diameter	30 mm
Outer Diameter	55 mm
Width	37 mm
d	30 mm
D	55 mm
B	37 mm
d1	34,8 mm
d2	70 mm
dk	50,8 mm
h	110 mm
l1 min.	66 mm
l2 max.	145 mm
l7 min.	37 mm
r1 min.	0,3 mm
C1	25 mm
Thread (G)	M30X2
Angle	17 °
Weight	1,1 Kg
Basic dynamic load rating (C)	64 kN

GAKR 30 PB Bearing 2D drawings and 3D CAD models