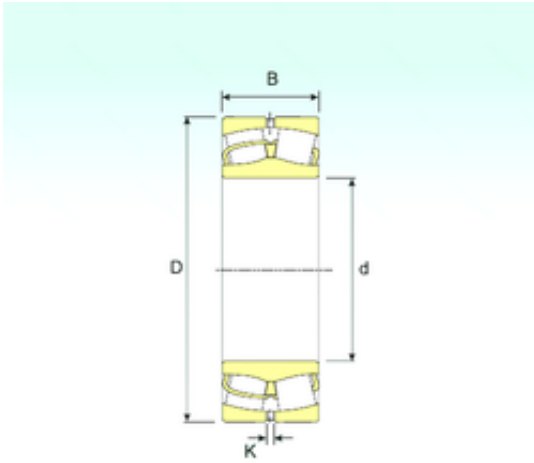




# EYA Bearing Roller Industry Co.,Ltd



240/850 Bearing 2D drawings and 3D CAD models

## ISB 240/850 spherical roller bearings

Bearing No. 240/850

Size	850x1220x365 mm
Bore Diameter	850 mm
Outer Diameter	1220 mm
Width	365 mm
d	850 mm
D	1220 mm
B	365 mm
C	365 mm
K	12 mm
Weight	1410 Kg
Basic dynamic load rating (C)	12446 kN
Basic static load rating (C0)	30870 kN
(Grease) Lubrication Speed	275,4 r/min