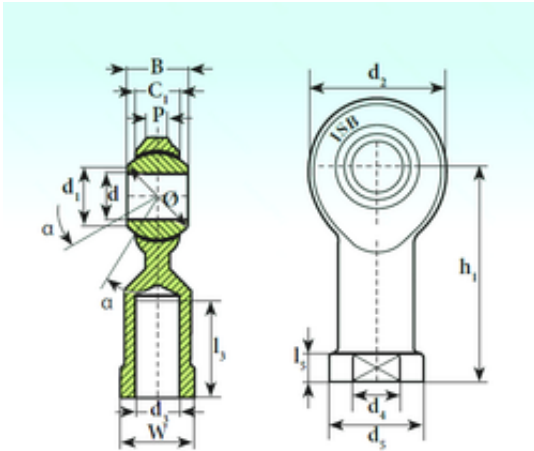




EYA Bearing Roller Industry Co.,Ltd



ISB TSF.R 8.1 plain bearings

Bearing No. TSF.R 8.1

Bore Diameter	8 mm
d	8 mm
B	12 mm
P	4,5 mm
d1	10,4 mm
d2	22 mm
d4	13 mm
h1	36 mm
l3 min.	17 mm
l5	5 mm
C1	8 mm
W	14 mm
	15,88 mm
Thread (G)	M8x1
Angle	13 °
d5	16 r/min
Weight	0,041 Kg

TSF.R 8.1 Bearing 2D drawings and 3D CAD models