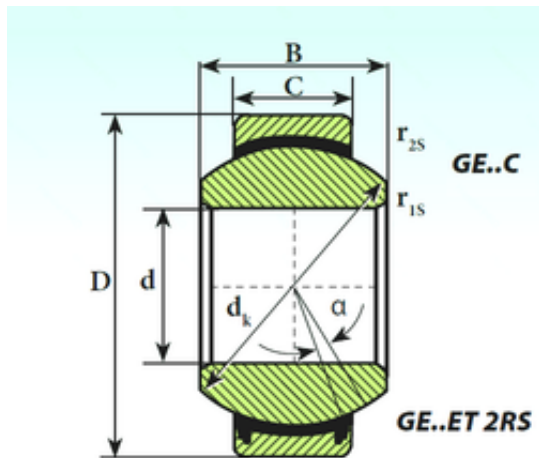




EYA Bearing Roller Industry Co.,Ltd



ISB GE 140 ET 2RS plain bearings

Bearing No. GE 140 ET 2RS

Size	140x210x90 mm
Bore Diameter	140 mm
Outer Diameter	210 mm
Width	90 mm
d	140 mm
D	210 mm
B	90 mm
C	70 mm
dk	180 mm
r1 min.	1 mm
r2 min.	1 mm
Angle	6 °
Weight	11 Kg
Basic dynamic load rating (C)	1500 kN

GE 140 ET 2RS Bearing 2D drawings and 3D CAD models