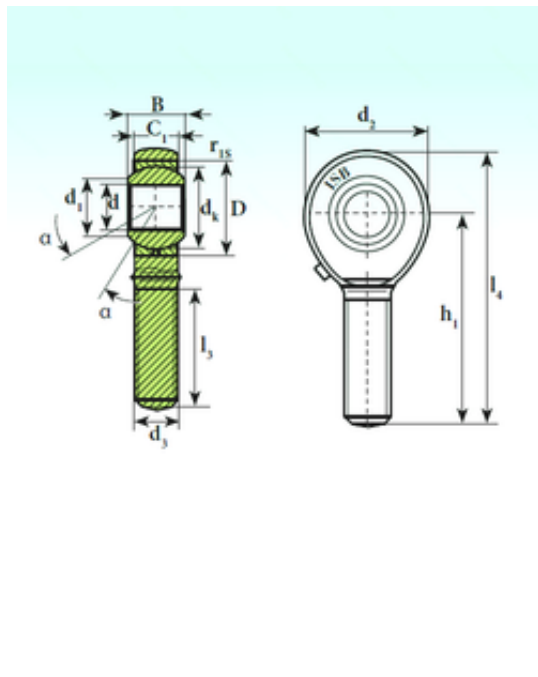




EYA Bearing Roller Industry Co.,Ltd



TSM 16 Bearing 2D drawings and 3D CAD models

ISB TSM 16 plain bearings

Bearing No. TSM 16

Size	16x32x21 mm
Bore Diameter	16 mm
Outer Diameter	32 mm
Width	21 mm
d	16 mm
D	32 mm
B	21 mm
d1	19,3 mm
d2	40 mm
dk	28,58 mm
h1	66 mm
l3 min.	40 mm
l4 max.	85 mm
r min.	0,3 mm
C1	15 mm
Thread (G)	M16x2
Angle	15 °
Weight	0,18 Kg
Basic dynamic load rating (C)	21 kN